

## OVER HEAD LINE VEHICLES



### VRB 17

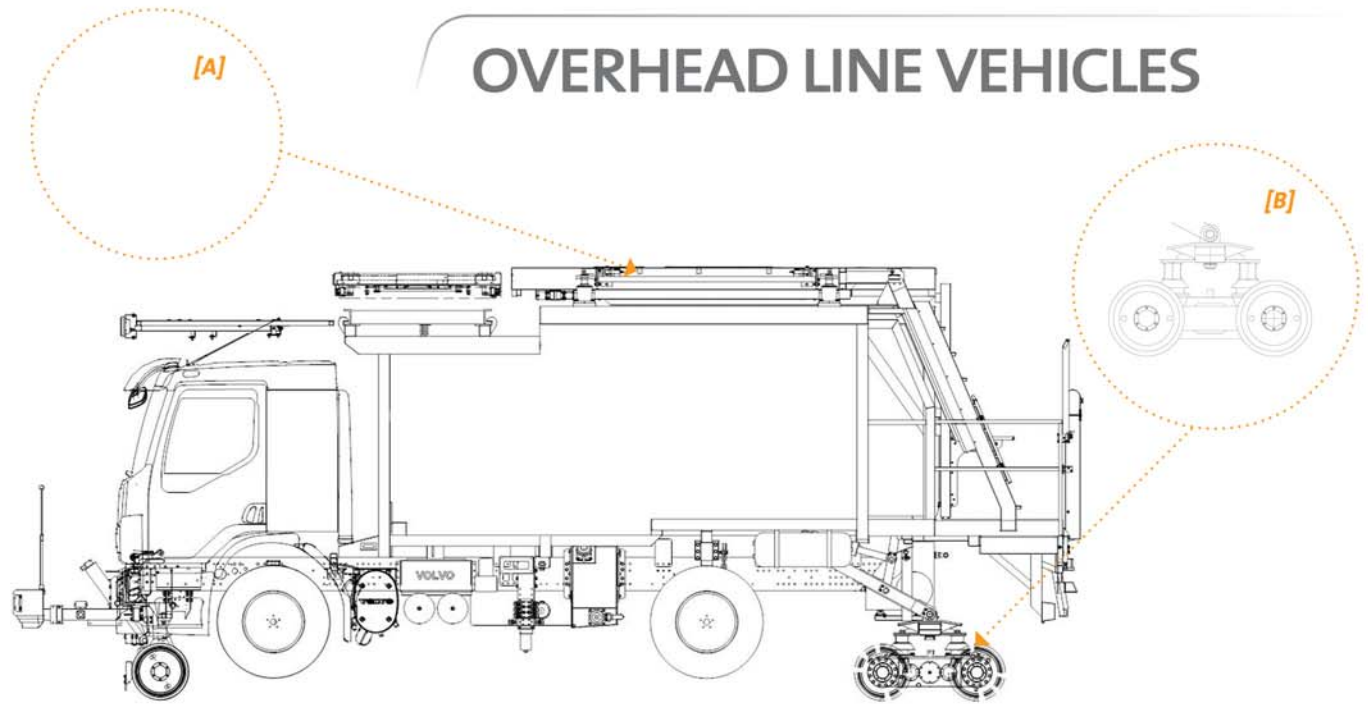
#### *SRS Overhead Line Maintenance vehicle*

SRS Road-Rail vehicle designed especially for maintenance, repair and inspection of overhead line systems. The Vehicle has the SRS hydrostatic rail travelling device with a swivelling bogie for easy access to the rail. The vehicle can be driven from the cab and from the platforms with a remote control. Workshop/equipment cabinet with a screw spindle platform and a scissors platform.

ROAD TO RAIL



World leading manufacturer of multiflexible road - rail vehicles



[A] Platforms

[B] Unique SRS hydrostatic driven bogie

# VRB 17

## Technical Data :

Chassis: Volvo or customers choice  
 Length: 9,5m  
 Width: 2,5m  
 High (Road): 3,8m  
 High (Track): 4,0m  
 Speed (Road): 90km/h\*  
 Speed (Track): 70km/h\*  
 Rail wheel: ø 440mm

## Rear Screw Spindle Platform:

Width: 2,1m  
 Length: 3,8m  
 Max Height: 4,5m (TOR to platform floor)  
 Max Platform load: 450kg or 3 persons

## Front Scissors Platform:

Width: 2,3m  
 Length: 1,5m  
 Max Height: 7,0m (TOR to platform floor)  
 Max Platform load: 450kg or 3 persons  
 Side movement: ±2.65m from track center

\*Specification may vary depending on local regulations



**Shifting from Road to Rail  
 faster than anyone else!**

## Over Head Line Vehicles

- LRB178-2T1
- LRB1712-2T1
- LRB25
- VRB25
- VRB17**
- FRB8
- TRB20

## Bridge/Tunnel Inspection Vehicles

- LRB7-2SX
- BRB7-4
- BRB12-5

## Recovery & Emergency Vehicles

- PRB8
- VRB17LR
- VRB25LR
- FRB25
- KRB33

## Multi-Purpose Vehicles

- FRB17
- FRB25
- FRB25S
- FRB32

## Module Vehicles

- RB17
- RB25

## Crane Articulated Vehicles

- Semi-Trailer

## Track Welding Vehicles

- CRB8
- CRB17
- SRB17
- SRB20V
- SRB25

## Headoffice

SRS Sjölanders AB, Box 153, SE-283 23 OSBY, Phone: +46 (0) 479-175 00 Fax: +46 (0) 479-175 45

v.001



World leading manufacturer of multi(lexible) road - rail vehicles